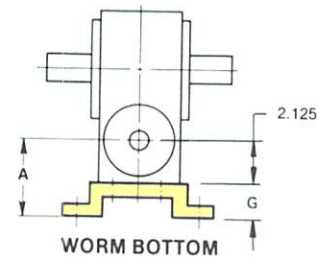
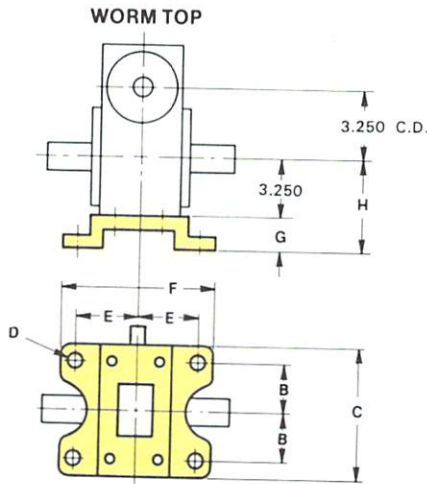
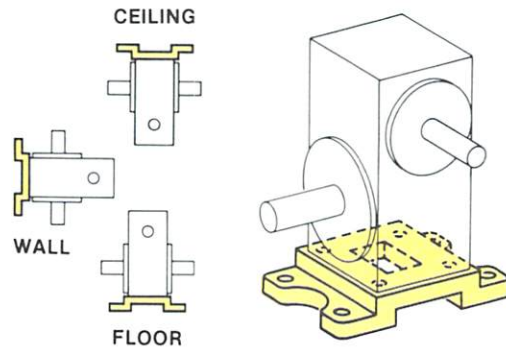


Series 320, Accessories

UNIVERSAL BASE KITS

SERIES 320 UNIVERSAL BASE KITS are designed to make these units dimensionally interchangeable with Boston, Browning, Perfection, Ohio, Morse, and Winsmith, and include all cap screws and lock washers needed to assemble the kit to the reducer. Kit must be ordered in addition to reducer if needed.



NOTE: FOR WORM GEAR REDUCER DIMENSIONS, REFER TO PAGE B-63.

- Δ INPUT SHAFT 1.000
- ∅ OUTPUT SHAFT 1.250
- < OUTPUT SHAFT 1.625
- ↓ CENTER DISTANCE 3.000
- "B" DIM. WORM BOTTOM 4.437

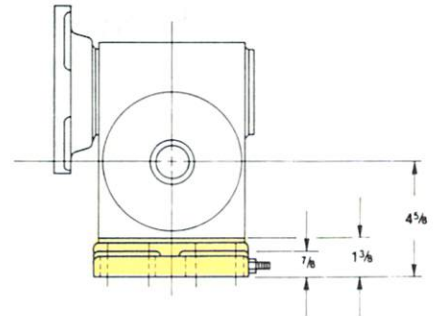
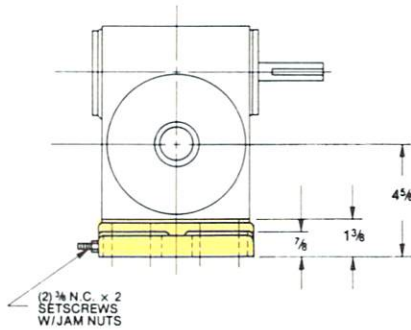
PART NUMBERS FOR SERIES 320 UNIVERSAL BASE KITS

		A	B	C	D	E	F	G	H	PART NUMBER	LBS. EA.
BOSTON	Worm Top 332-B		4.750	10 ³ / ₄	1 ⁷ / ₃₂	3.062	7 ³ / ₈	1.125	4.375	02-29-01925-320	9.0
	Worm Bottom 332-A	3.500	4.750	10 ³ / ₄	1 ⁷ / ₃₂	3.062	7 ³ / ₈	1.375		02-29-01924-320	10.3
BROWNING	Worm Top 325E		4.750	10 ³ / ₄	1 ⁷ / ₃₂	3.062	7 ³ / ₈	1.125	4.375	02-29-01925-320	9.0
	Worm Bottom 325E-BOF	3.500	4.750	10 ³ / ₄	1 ⁷ / ₃₂	3.062	7 ³ / ₈	1.375		02-29-01924-320	10.3
PERFECTION	Worm Top ST-3200		3.750	8 ³ / ₄	1 ⁷ / ₃₂	2.500	6 ¹ / ₄	1.125	4.375	02-29-01923-320	6.2
	Worm Bottom SB-3200	2.875	3.750	8 ³ / ₄	1 ⁷ / ₃₂	2.500	6 ¹ / ₄	.750		02-29-01922-320	7.1
OHIO HI-LINE	Worm Top U-32		2.875	7 ³ / ₈	2 ¹ / ₃₂	3.750	9	1.250	4.500	02-29-01921-320	9.9
	Worm Bottom S-32	3.500	2.875	7 ³ / ₈	2 ¹ / ₃₂	3.750	9	1.375		02-29-01920-320	10.5
OHIO UNILINE	Worm Top U-325		4.750	10 ³ / ₄	1 ⁷ / ₃₂	3.062	7 ³ / ₈	1.125	4.375	02-29-01925-320	9.0
	Worm Bottom S-325	3.500	4.750	10 ³ / ₄	1 ⁷ / ₃₂	3.062	7 ³ / ₈	1.375		02-29-01924-320	10.3
MORSE	Worm Top 30-RWT		2.750	7 ³ / ₈	9 ¹ / ₁₆	3.125	7 ³ / ₄	.750	4.000	02-29-01919-320	7.8
	Worm Bottom 30-RWB	3.500	2.750	7 ³ / ₈	9 ¹ / ₁₆	3.125	7 ³ / ₄	1.375		02-29-01918-320	10.0
WINSMITH	Worm Top CT-5		3.500	8 ³ / ₄	9 ¹ / ₁₆	2.375	6	.750	4.000	02-29-02782-320	7.1
	Worm Bottom CB-5	3.000	3.500	8 ³ / ₄	9 ¹ / ₁₆	2.375	6	.875		02-29-02783-320	6.3

Series 320, Accessories

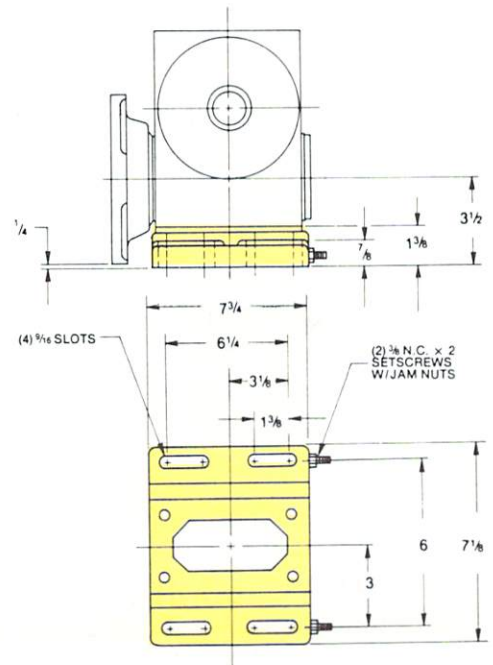
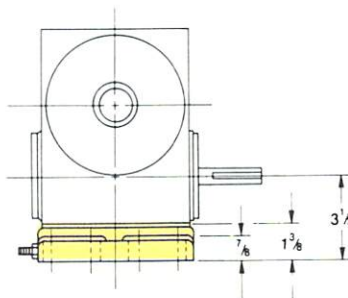
B

WORM TOP



ADJUSTABLE BASE KIT

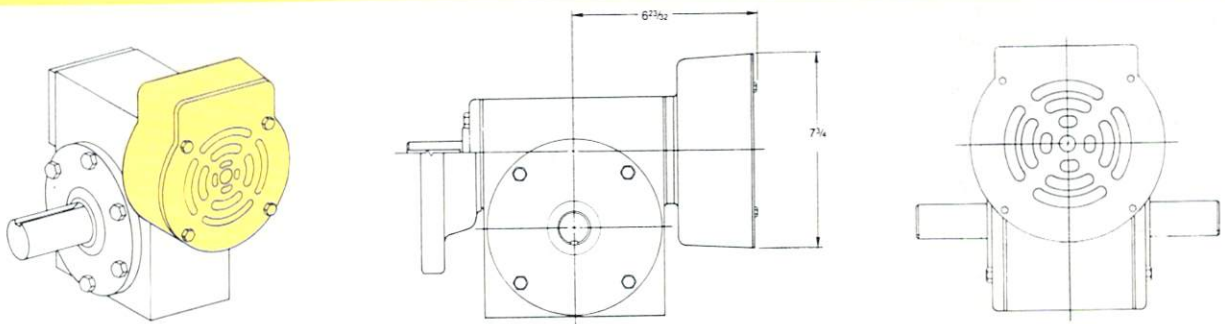
WORM BOTTOM



SERIES 320 ADJUSTABLE BASE KITS are designed with elongated slots for mounting bolts and adjusting screws for final positioning. Ideal for final adjustment of chairs, belts, etc. Kit must be ordered in addition to reducer if required.

Kit includes all hardware needed to assemble kit to reducer.

Adjustable Base Kit Part No. 02-29-00019-320.
Shipping Wt. 10.0 lbs.



SERIES 320 FAN KIT

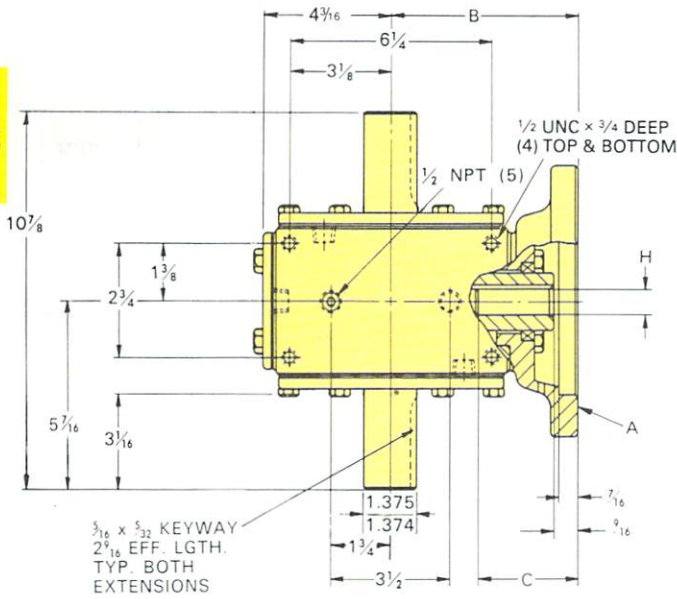
Cooling Fans are available as a factory assembled or field installed option. The use of Cooling Fans will increase thermal capacity 10% to 50% depending on unit size and input speed. Installation instructions and all parts required included with each kit.

Shipping Wt. 8.0 lbs.

KIT NUMBER	INPUT TYPE
02-29-00074-320	Shaft
02-29-00075-320	56C
02-29-00076-320	143TC
02-29-00077-320	182TC

HUB CITY SINGLE REDUCTION WORM GEAR REDUCERS

Series 320, Model 324



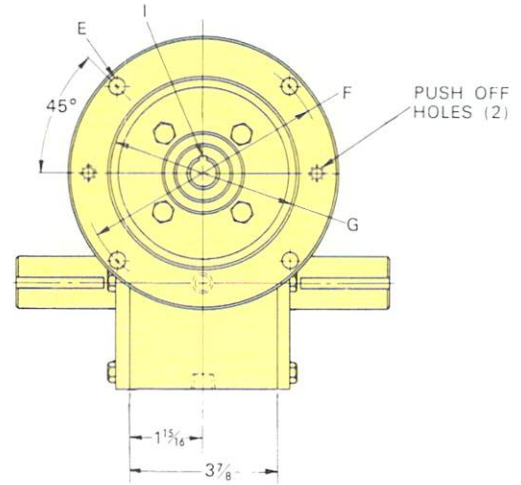
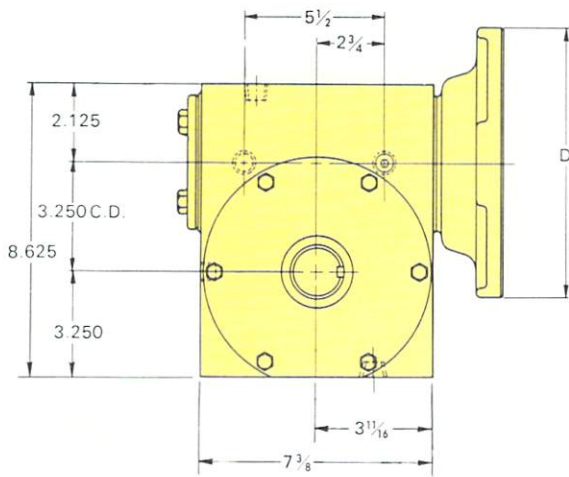
NEMA FLANGE	B	C	D	E	F	B.C. DIA.	COUNTER BORE	MOTOR SHAFT QUILL	KEYWAY	KEY FURNISHED
A							G	H	I	
56C	$5\frac{1}{2}$	$2\frac{3}{8}$	$6\frac{1}{2}$	$1\frac{1}{32}$	$5\frac{7}{8}$		$\frac{4.501}{4.503}$	$\frac{.6255}{.6270}$	$\frac{3}{16} \times \frac{3}{32}$	$\frac{3}{16}$ Sq.
143TC, 145TC, 182C, 184C	$5\frac{1}{2}$	$2\frac{3}{8}$	$6\frac{1}{2}$	$1\frac{1}{32}$	$5\frac{7}{8}$		$\frac{4.501}{4.503}$	$\frac{.8755}{.8770}$	$\frac{3}{16} \times \frac{3}{32}$	$\frac{3}{16}$ Sq.
182TC, 184TC, 213C, 215C	$6\frac{1}{4}$	$3\frac{3}{16}$	9	$1\frac{1}{32}$	$7\frac{1}{4}$		$\frac{8.501}{8.504}$	$\frac{1.1255}{1.1270}$	$\frac{1}{4} \times \frac{1}{8}$	$\frac{1}{4}$ Sq.

SEE PAGE C-110 FOR METRIC IEC B5 FLANGE INFORMATION.

OIL CAPACITY BY VOLUME (APPROX.)
 WORM TOP 2.65 PINTS
 WORM BOTTOM 1.90 PINTS
 LOW SPEED SHAFT VERTICAL 1.50 PINTS

HUB CITY LUBRICANT RECOMMENDED.
 (REFER TO PAGE L-20.)

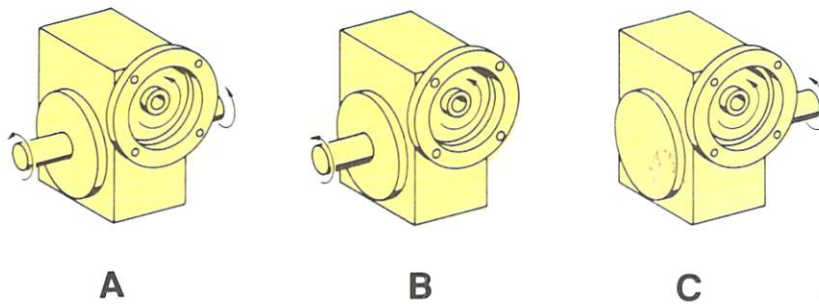
METRIC AND SAE HYDRAULIC
 INPUT FLANGES AVAILABLE. CONSULT
 FACTORY FOR COMPLETE SPECIFICATIONS.



DIMENSIONS SHOWN ARE FOR REFERENCE ONLY.
 CERTIFIED PRINTS ARE AVAILABLE UPON REQUEST.

DRY SHIPPING WEIGHT 64 LBS.

STANDARD STYLES AVAILABLE



INPUT SHAFT CAN BE ROTATED IN EITHER DIRECTION